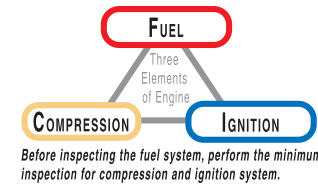
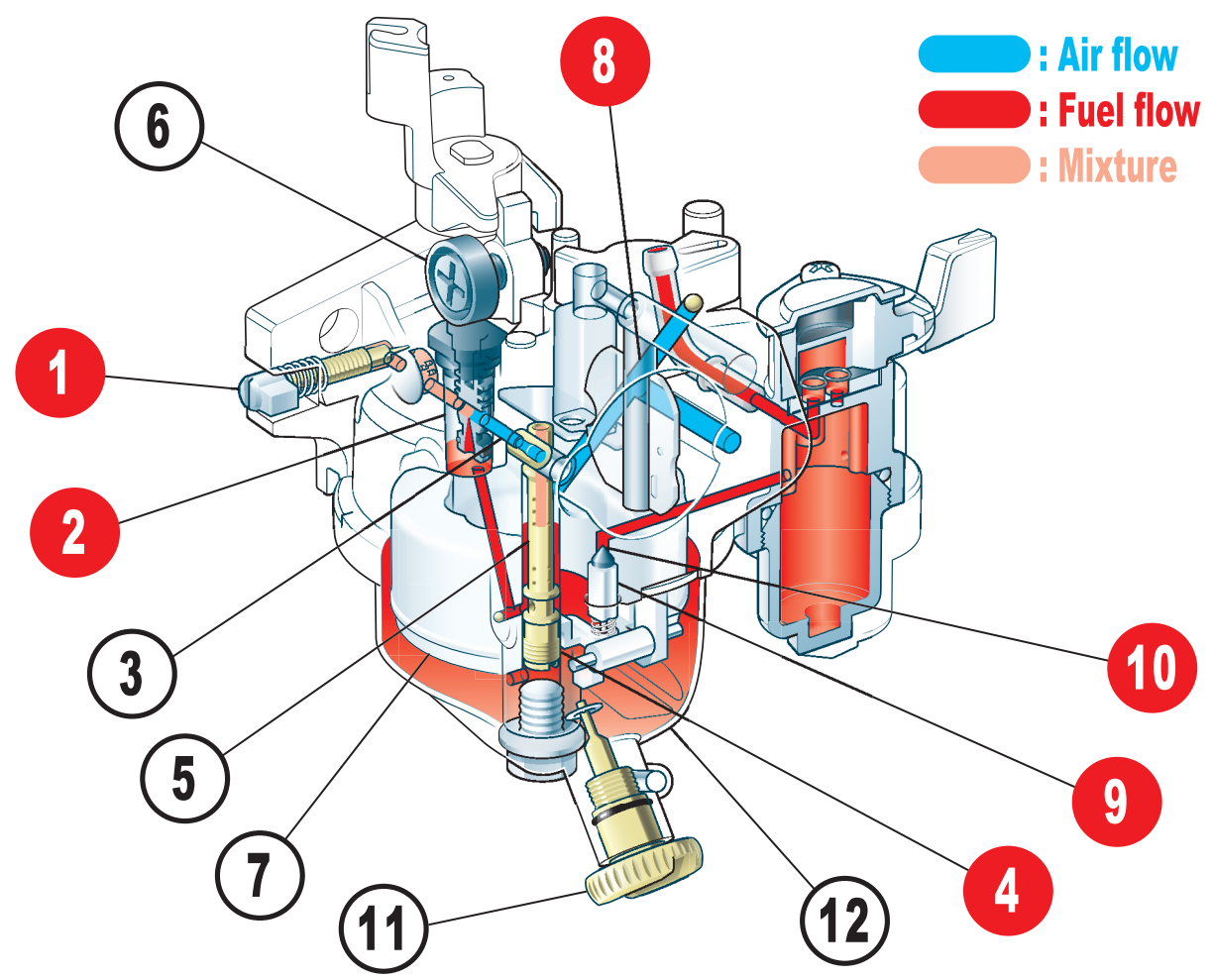


GX120/140/160/200/240/270/340/390 Carburetor Check Sheet



1 2 4 8 9 10 : Priority check Points



◆ Unstable idle speed
◆ Poor performance at low speed

- 1** Pilot screw clogged. Remove foreign materials/dirt. Replace pilot screw.
- 2** Pilot jet clogged. Remove foreign materials/dirt. Use needle B (Φ0.3) to clean.
- 3** Pilot jet air path clogged. Remove foreign materials/dirt.

◆ Engine does not start or stop
◆ Hard starting
◆ Engine starts but quickly stops

- 4** Main jet clogged. Remove foreign materials/dirt. Use needle A (Φ0.5) to clean.
- 5** Main nozzle clogged. Remove foreign materials/dirt.
- 6** Throttle stop screw position incorrect. Set correct idle speed.
- 7** Float doesn't move properly. Remove foreign materials around float pin.

For long storage of the engine (More than 3 months) **11**

Drain gasoline from float chamber by running the engine until it stops or by loosening the drain screw while engine is stopped. Take off strainer cup and pour gasoline in an appropriate.

Pilot screw and limiter cap replacement

When the cap is removed, the pilot screw breaks at the middle of its thread. To remove the remaining screw, fit an appropriate rubber tube over the remaining screw and turn it.

Install a new pilot screw and set it to the specified position. (Refer to "Number of turns to back off the pilot screw".) Then install the limiter cap with LOCKTITE 638.

Using of Carburetor Cleaning Kit (Kit No.07JPZ-0010000)

Carburetor cleaning kit is useful to remove foreign materials/dirt.

Needle A (Φ0.5) (Main jet)	Needle B (Φ0.3) (Pilot jet)	Pump nozzle (Air blow to jets and Air paths)	Screw driver (Main jet assemble/disassemble)
----------------------------	-----------------------------	--	--

◆ Engine speed does not increase
◆ Poor performance at high speed
◆ Unstable engine speed

- 1** Pilot screw clogged. Remove foreign materials/dirt. Replace pilot screw.
- 2** Pilot jet clogged. Remove foreign materials/dirt. Use needle B (Φ0.3) to clean.
- 3** Pilot jet air path clogged. Remove foreign materials/dirt.
- 4** Main jet clogged. Remove foreign materials/dirt. Use needle A (Φ0.5) to clean.
- 5** Main nozzle clogged. Remove foreign materials/dirt.
- 8** Main nozzle air path clogged. Remove foreign materials/dirt.

◆ Overflow
◆ Gasoline leaks

- 9** Float valve worn or coated with foreign materials/dirt. Remove foreign materials/dirt.
- 10** Valve seat worn or coated with foreign materials/dirt. Remove foreign materials/dirt.

Check of float chamber **12**

Water inside Float chamber cause engine failure. Take off Float chamber and clean or replace.